

Kidde Fire Systems Component Description



Effective: April 2023
K-85-1111 Rev AB

Manifold “Y” Fitting

FEATURES

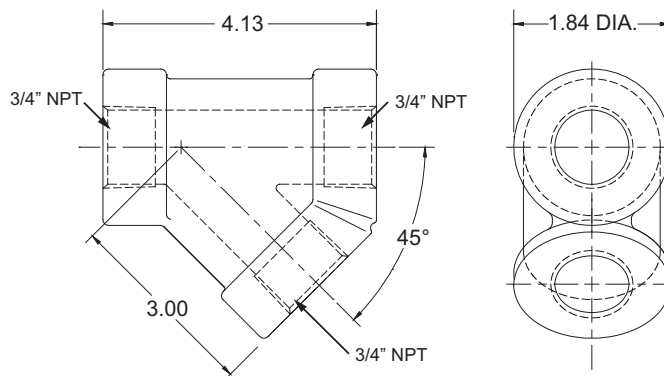
- For Approvals, see the Table, “Compatibility” table on page 1.
- REACH compliant & RoHS Exempt

P/N: 81-207877-003

DESCRIPTION

The manifold “Y” fitting provides a single manifold connection point for two flexible hoses from adjacent cylinders. The single connection point eliminates the need to source and install multiple pipe fittings.

The manifold “Y” fitting can be used as part of an actuation arrangement for clean agent systems when using 1040-in³ or 2300-in³ nitrogen (N₂) cylinders to drive sirens. When using N₂ cylinders to pressurize the actuation arrangement, the N₂ cylinder discharge hose will connect into the fitting.



NOTE: Dimensions are for reference only.

MATERIAL

Galvanized Malleable Iron

COMPATIBILITY

Series	DIOM P/N	Approvals
Kidde Fire Systems ECS-500™ System	06-237585-001	UL, ULC, FM
Kidde Fire Systems ECS-500™ Marine System	06-237589-001	UL, ULC, USCG
Kidde Fire Systems ADS™ for use with Fluoroketone Fire Suppression Agents	06-237256-001	UL, ULC, FM
Kidde Fire Systems ADS™ Marine for use with Fluoroketone Fire Suppression Agents	06-237257-001	UL, ULC, USCG
Kidde Fire Systems ADS™ with HFC-227ea Agent	06-236068-001	UL, ULC, FM
Kidde Fire Systems ADS™ Marine with HFC-227ea Agent	06-236595-001	UL, ULC, USCG
Kidde Fire Systems ECS™ 360 for use with Fluoroketone Fire Suppression Agents	06-236553-001	UL, ULC, FM
Kidde Fire Systems ECS™ 360 Marine for use with Fluoroketone Fire Suppression Agents	06-236559-001	UL, ULC, USCG
Kidde Fire Systems ECS™ 360 with HFC-227ea Agent	06-236115-001	UL, ULC, FM
Kidde Fire Systems Modular ECS™ 360 with HFC-227ea Agent	06-236116-001	UL, ULC, FM
Kidde Fire Systems ECS™ 360 Marine with HFC-227ea Agent	06-236225-001	UL, USCG
Kidde Fire Systems High Pressure CO ₂ System	81-CO2MAN-001	UL, ULC, FM
Kidde Fire Systems High Pressure CO ₂ Marine System	220610	UL, USCG

EXPORT INFORMATION (USA)

Jurisdiction: EAR

Classification: EAR99

This document contains technical data subject to the EAR.

All trademarks are the property of their respective owners.

©2023 Carrier

This literature is provided for informational purposes only. KIDDE-FENWAL, INC. believes this data to be accurate, but it is published and presented without any guarantee or warranty whatsoever. KIDDE-FENWAL, INC. assumes no responsibility for the product's suitability for a particular application. The fire suppression system design, installation, maintenance, service and troubleshooting must be performed by trained, authorized Kidde Fire Systems distributors for the product to work correctly. If you need more information on this product, or if you have a particular problem or question, contact KIDDE-FENWAL, INC., Ashland, MA 01721 USA. Telephone: (508) 881-2000.

Kidde Fire Systems
400 Main Street
Ashland, MA 01721
Ph: 508.881.2000
Fax: 508.881.8920
kiddefiresystems.com